

Retaining Magnets

Neodymium-Iron-Boron (NdFeB), with Internal Thread, with Rubber Jacket

SPECIFICATION

Types

- Type **A**: With 1 internal thread
- Type **B**: With 2 internal threads

Steel part

Zinc plated

Material of the magnet

NdFeB

Neodymium, iron, boron

Temperature resistant up to 80 °C

Rubber jacket

Elastomer (TPE)

≈ 80 Shore A

- Black **SW**

- White **WS**

INFORMATION

The retaining magnets GN 57.1 with rubber jacket form a system together with the steel part that shields and strengthens the magnet, optimally concentrating the magnetic flux on the rubberized magnetic surface.

The rubber protects sensitive surfaces from being damaged by the magnet and also delivers a high friction coefficient, resulting in high lateral displacement forces.

- More Information on Retaining Magnets (see page 2022)

ACCESSORY

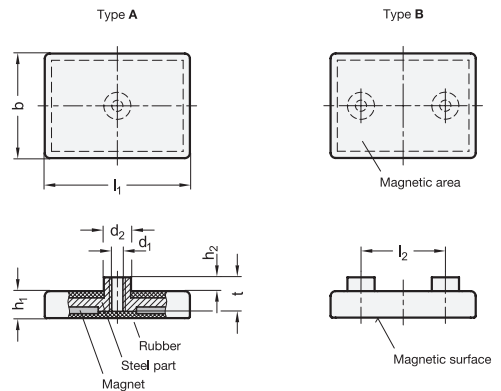
- Holding Disks GN 70 (see page 2051)
- Adhesive Disks GN 70.1 (see page 2051)

ON REQUEST

- Other colors
- Other Shore hardnesses

TECHNICAL INFORMATION

- Plastic Characteristics (see page A32)



* Complete with

SW WS
Black White

GN 57.1-A

Description	b	l ₁	d ₁	d ₂	h ₁	h ₂	l ₂	t	Nominal magnetic forces in N	⚖️
GN 57.1-31-43-M4-A-*	31	43	M 4	10	6	1	25	4.5	105	27
GN 57.1-45-59-M5-A-*	45	59	M 5	10	8.5	6.2	27	9	240	85
GN 57.1-45-74-M5-A-*	45	74	M 5	10	8.5	6.2	36	9	360	108
GN 57.1-45-110-M6-A-*	45	110	M 6	10	8.5	6.2	68	9	530	156

GN 57.1-B

Description	b	l ₁	d ₁	d ₂	h ₁	h ₂	l ₂	t	Nominal magnetic forces in N	⚖️
GN 57.1-31-43-M4-B-*	31	43	M 4	10	6	1	25	4.5	146	28
GN 57.1-45-59-M5-B-*	45	59	M 5	10	8.5	6.2	27	9	240	90
GN 57.1-45-74-M5-B-*	45	74	M 5	10	8.5	6.2	36	9	360	113
GN 57.1-45-110-M6-B-*	45	110	M 6	10	8.5	6.2	68	9	530	161

Weight type SW